

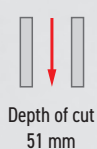
PRO-40 | PRACTICAL DRILLING MACHINE

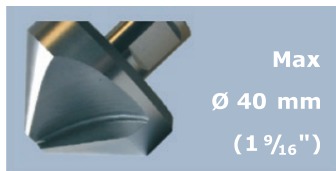
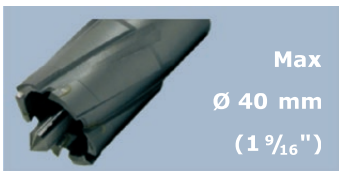
PRO-40 is lightweight, one speed and reliable machine which has been proven on many industrialized markets all over the world.

The drill is equipped with the latest generation of electromagnetic base with magnetic field shape control system (MFSC) and magnetic power adhesion control module (MPAC), which measures adhesive force of electromagnetic base and prevents both the machine and the operator from work on workpieces which do not provide enough grip for the magnetic base. Energy Saving Base (ESB) uses only 50% of its power when motor is not running.

Superior features of PRO-40 include:

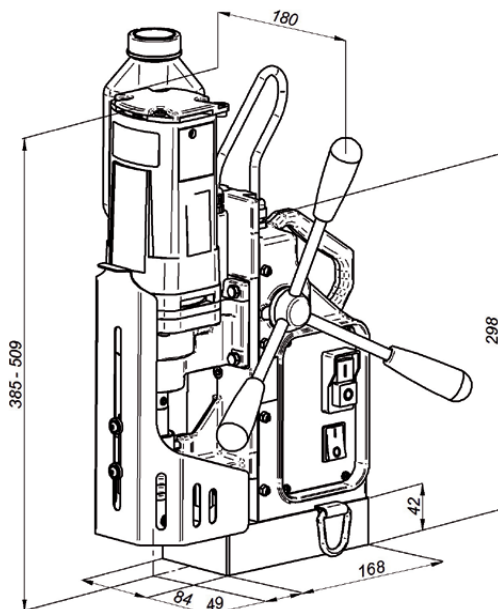
- compact design
- purpose designed motor with heavy duty gear box
- excellent ratio weight / power





PRO-40 TECHNICAL SPECIFICATION

Motor Speed (under load)	440 rpm
Power	1100 W
Weight	12,7 kg (27 lbs 6 oz)
Max milling capacity	40 mm (1 9/16")
Max drilling capacity	16 mm (10/16")
Max countersinking	40 mm (1 9/16")
Stroke	124 mm (4 7/16")
Max depth of cut	51 mm (2")
Voltage	1~ 110-120 V, 50-60 Hz 1~ 220-240 V, 50-60 Hz
MPAC (Magnetic Power Adhesion Control)	yes
MFSC (Magnetic Field Shape Control)	yes
ESB (Energy Saving Base)	yes
Magnetic clamping force	999 kgf (9800 N) /25 mm, Ra=1,25/
Magnet Base Dimensions	84 x 168 x 41,5 [mm] 3 5/16 x 6 5/8 x 1 5/8 ["]
Min. Workpiece Thickness	6 mm (1/4")
Tool holder	19 mm (3/4") Weldon
Product Code 220-240 V, 50-60 Hz	WRT-0291-10-20-00-3
Product Code 110-120 V, 50-60 Hz	WRT-0291-10-10-00-3

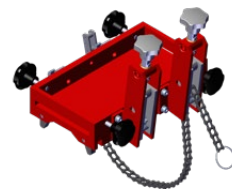


Standard shipping set:

- Magnetic Base Drilling Machine
- Metal Box
- 19 mm (3/4") Weldon Arbor - for cooling through ring
- Swarf Shield/Cutter Guard
- Coolant Bottle Assembly
- Safety Chain
- Set of Tools
- Instruction Manual
- Standard shipping weight - 18 kg (38 lbs 13 oz)

Selected additional accessories:

- UCW-0260-13-00-00-0 Quick Change 19 mm (3/4") Weldon Arbor for cooling through ring
- PDS-0110-10-00-01-0 Pipe attachment DMP 250 for pipes with diameters of 80-250 mm (3-10")
- PDS-0111-03-00-01-0 Pipe attachment DMP 501 for pipes with diameters of 150-500 mm (6-20")
- UKL-0399-11-00-00-0 Coolant Bottle Assembly
- UKL-0440-16-00-00-0 Coolant System 2l
- LNC-0129-80-01-00-0 Safety Chain
- TLJ-0197-10-00-03-0 Drill Chuck Adapter x 1/2" - 20 UNF
- UCW-000059 Drilling Chuck 1,5-13 x 1/2" - 20 UNF
- UCW-000061 Drilling Chuck 3-16 x 1/2" - 20 UNF
- PDS-0587-10-00-00-0 Vacuum pad
- ZSP-0587-11-00-00-0 Compressed air ejector



Pipe attachment DMP 501



Vacuum pad



Compressed air ejector

