

■ PRO 35 ADA ATEX | Pneumatic drilling machine

An extremely small portable air drilling machine makes holes with diameters up to 35 mm and a depth of 25 mm on any construction site and industrial installations where electric appliances are prohibited for safety reasons.

Combining a pneumatic drive and permanent magnetic base eliminates the need of electric power supply.



■ Features & benefits:

- no need for electric power
- compact and light-weight
- great safety features
- strong permanent magnet base
- ideal for areas with risk of explosion
- protection against motor start-up when magnetic base is not activated



PRO 35 ADA ATEX
conforms to
ATEX II 2 G/D c IIC T6/T4
Standard
for equipment used in
hazardous environments

PRO 35 ADA ATEX is perfectly suited to space restricted and hazardous environments such as oil drilling platforms, mining industry, shipbuilding or petrochemical industry.



Core drill:
max 35 mm
(1.38")



Twist drill:
max 16 mm (0.63")
with 19mm (0.75")
Weldon Shank



Depth of cut:
25 mm
(0.98")



Stroke:
39 mm
(1.54")



Speed:
240 rpm



Motor Power:
800 W

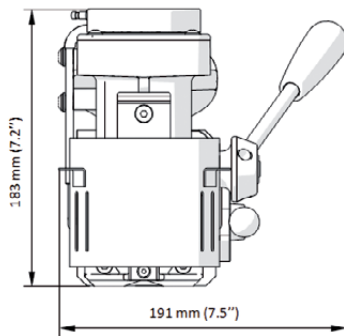
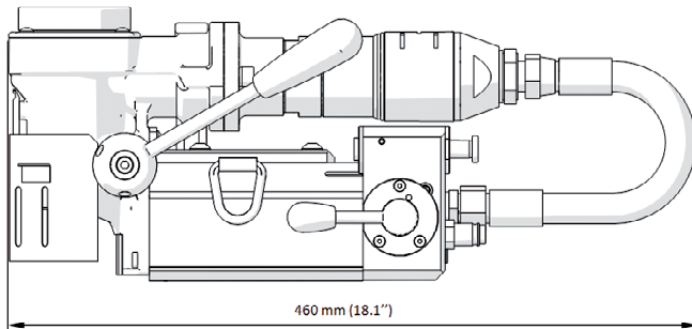


Weight:
17 kg (37 lbs)

PRO 35 ADA ATEX Technical specifications

Motor speed (under load)	240 rpm
Motor power	800 W
Weight	17 kg (37 lbs)
Max milling capacity	35 mm (1.38")
Max drilling capacity	16 mm (0.63")
Stroke	39 mm (1.54")
Max depth of cut	25 mm (0.98")
Cutter holder	19 mm Weldon (0.75")
Air consumption	1400 l/min (50 CFM)
Cooling system	Through spindle
Type of cooling fluid	Oil or water soluble
Magnetic base holding force	663 kgf (6500 N)
Magnetic base dimensions	80 mm × 80 mm × 143 mm 3.1" × 3.1" × 5.6"
Overall dimensions LxWxH	460 x 134 (191 with handle) x 183
Product Code	WRT-0520-10-00-00

Dimensions:



Works with different tools

Standard equipment includes:

- pneumatic drilling machine
- metal box
- feed lever
- cooling system bottle 0.5 l
- pilot pin
- safety chain
- 4 mm hex wrench
- 5 mm hex wrench
- Operator's Manual



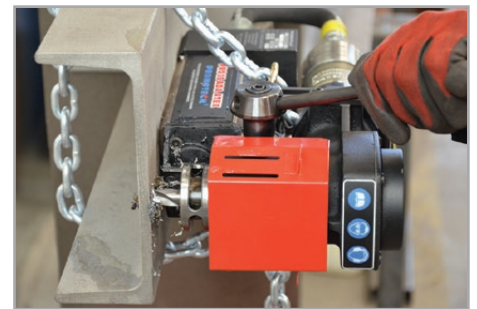
Feed lever can be fixed from either side



Compact design for space restricted



Protection against motor start-up when magnetic base is not activated



Working in out of positions



Through spindle cooling system



Portable and easy for transportation

All information is subject to change without notice. 20.10



PROMOTECH Sp. z o.o.
ul. Elewatorska 23/1, 15-620 BIAŁYSTOK, POLAND
tel. (+48 85) 678 34 05, fax (+48 85) 662 78 77
marketing@promotech.eu www.promotech.eu

Your local dealer:

