

■ PRO-36R | ELECTRIC MOTOR RAIL DRILL

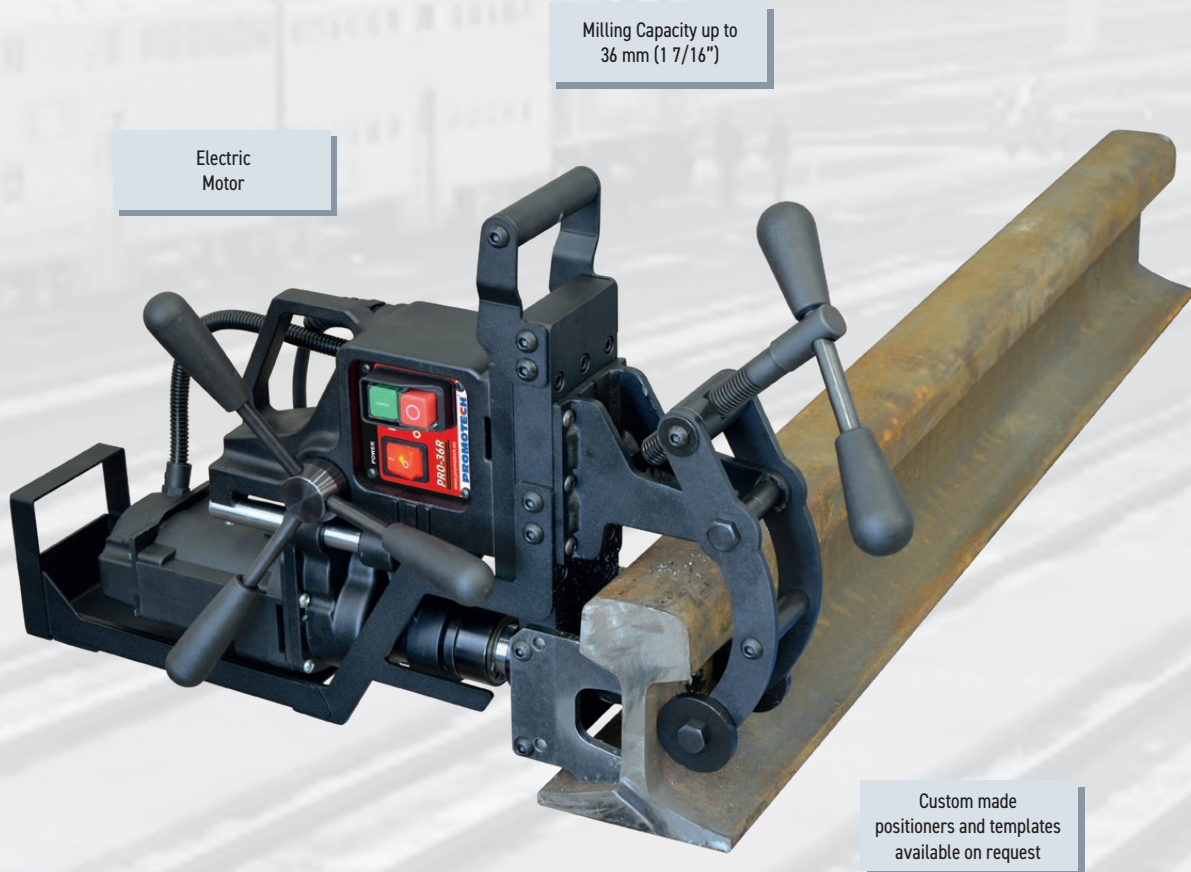
A very powerful compact and lightweight machine for drilling in rails.


Fast positioning, quick clamping and instant unlocking mechanisms make it easy to use and safe device.


PRO-36R enables drilling in rails of any standard by means of 2pcs of optional rail profile templates and 1pcs of hole centre positioner, to be chosen by customers from a comprehensive range of auxiliary accessories dedicated to a variety of types of rails.


Pressure Coolant system including 5l bottle enables forced feeding of cooling medium in any drilling positions. It is ideal solution when gravitational feeding fails.

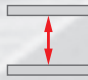
PRO-36R can also be ordered with Honda 4-stroke petrol motor as PRO-36RH.




Core drill:
max 36 mm
(1-7/16")


Twist drill:
max 16 mm (5/8")
with Weldon Shank
19 mm (3/4")


Depth of cut:
up to 30 mm
(1-3/16")


Stroke:
40 mm
(1-9/16")


Speed:
350 rpm


Motor Power:
920 W


Weight:
14.5 kg
(32 lbs)



Max
Ø 36 mm
(1 7/16")

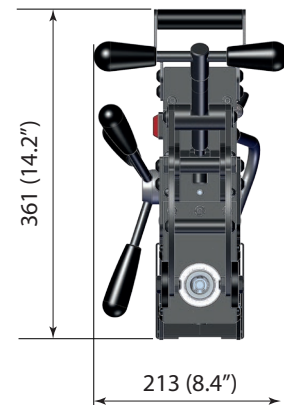
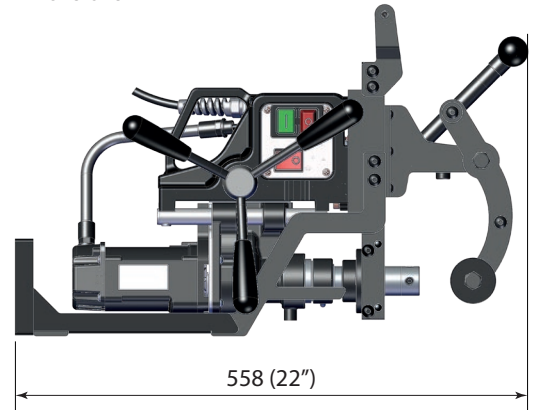


Max
Ø 16 mm
(5/8")

PRO-36R TECHNICAL SPECIFICATION

Tool Holder	Arbor 19 mm; 3/4" Weldon
Max milling capacity	36 mm (1-7/16")
Max drilling capacity	Ø 16 mm (5/8")
Stroke	40 mm (1-9/16")
Max depth of cut	30 mm (1-3/16")
Motor type	Electric 1~ 220-240 V, 50-60 Hz 1~ 110-120 V, 50-60 Hz
Power consumption	1000 W
Motor Power	920 W
Speed (under load)	350 rpm
Weight	14,5 kg (32 lbs)
Product Code 230V/50Hz	WRT-0676-10-20-00-0
Product Code 115V/60Hz	WRT-0676-10-10-00-0

Dimensions:



Standard shipping set:

- Rail Drilling Machine
- Metal Box
- Pressure Coolant 0.5l Bottle Assembly with Adapter
- Set of Tools
- Instruction Manual (English)
- Standard shipping weight - 33,6kg (72 lbs 8 oz)

Rail profile templates and hole centre positioner are to be ordered, separately.



Upon customer's request any rail profile templates and hole centre positioners are subject to manufacture to meet any required rail standard.

Selected additional accessories:

- UST-0275-00-01-00-0 S49 Rail Profile Template
- UST-0275-00-02-00-0 UIC 60 Rail Profile Template
- WZR-0275-13-00-00-0 S49 Hole Centre Positioner
- WZR-0275-14-00-00-0 UIC 60 Hole Centre Positioner
- ZSP-0275-38-00-00-0 Double-sided counter-sinking tool Ø 36mm (1 7/16")
- PJM-0676-10-00-00-0 Pressure Coolant 5l Bottle Assembly with Adapter



All information is subject to change without notice. 20.03



PROMOTECH Sp. z o.o.
ul. Elewatorska 23/1, 15-620 BIAŁYSTOK, POLAND
tel. (+48 85) 678 34 05, fax (+48 85) 662 78 77
marketing@promotech.eu www.promotech.eu

Your local dealer:

